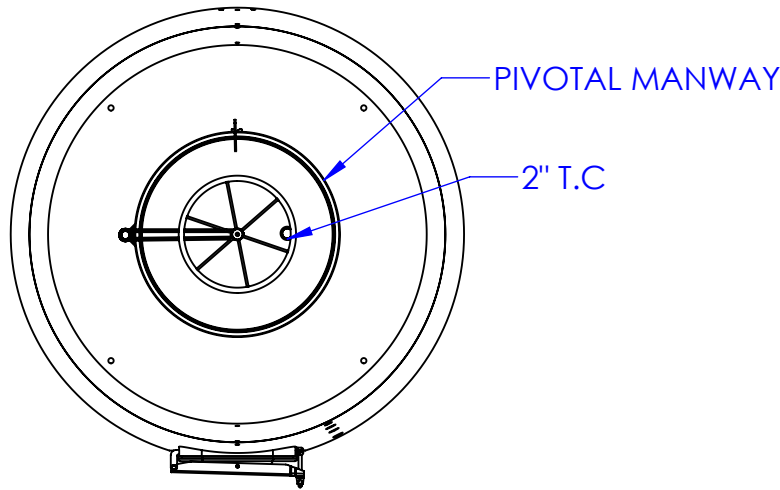




**SONOMA CAST STONE**  
**CONCRETE WINE TANKS**  
 1-877-283-2400  
 concretestonetanks.com

CAPACITY 1,470 GALLONS [56HL]  
 WEIGHT 11,700 LBS

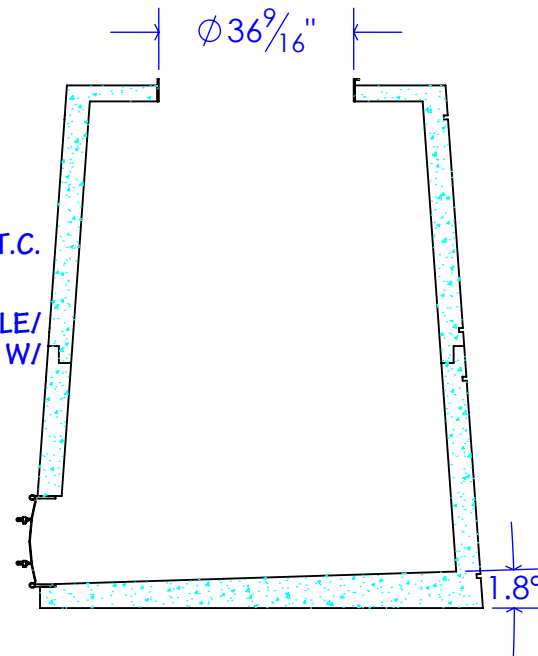
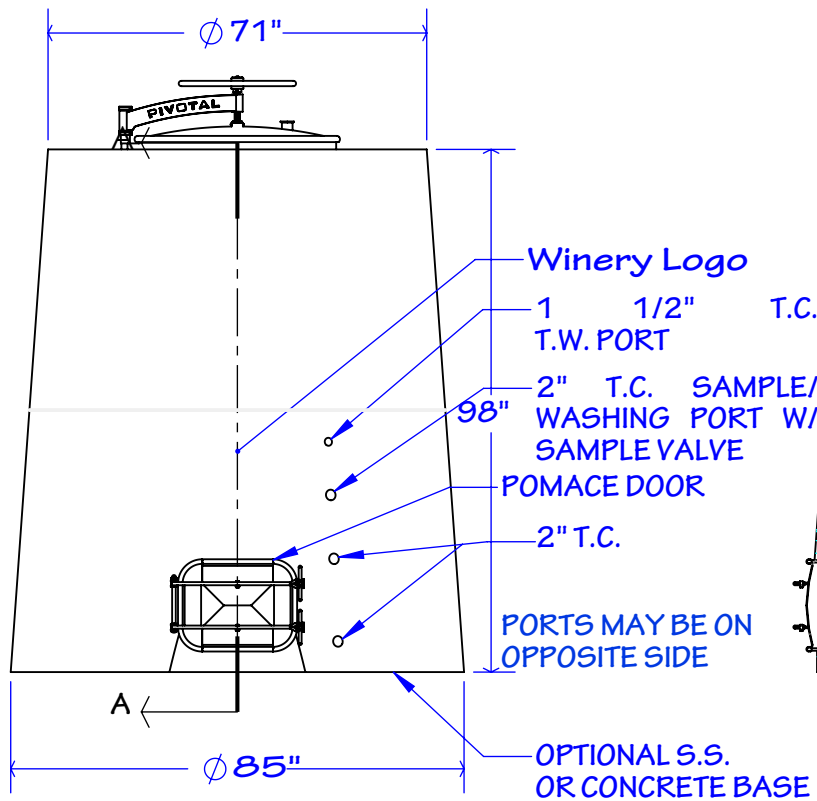


ORDER# 000  
 ORDER REVISION # 0

DATE: 8/24/2023  
 DWG REVISION # 0

DRAWN BY: CF  
 SHEET # 1

**CONICAL 1470G/ 56HL**



SECTION A-A  
 SCALE 1 : 36

