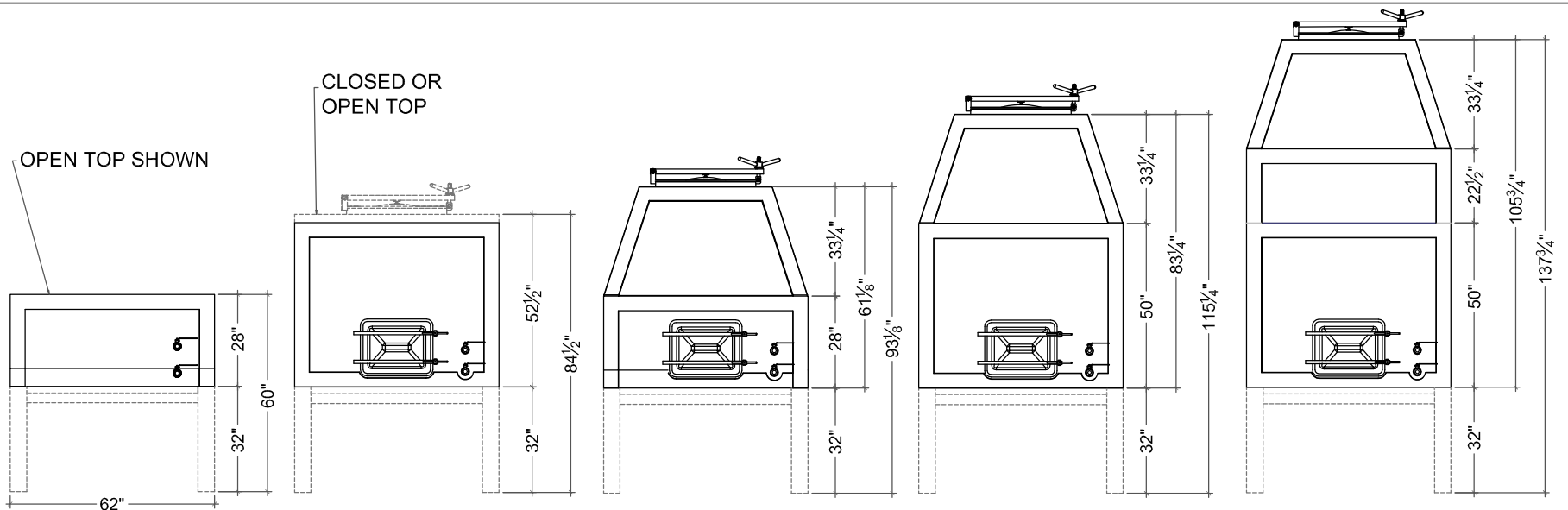




SONOMA CAST STONE CORPORATION
 133 COPELAND STREET PETALUMA, CA 94952
 707-283-1888
 FAX 707-283-1899

MODULAR TANK CONFIGURATIONS 2012

PROPRIETARY AND CONFIDENTIAL. THE INFORMATION CONTAINED IN THIS DRAWING IS THE SOLE PROPERTY OF SONOMA CAST STONE CORP. ANY REPRODUCTION IN PART OR AS A WHOLE WITHOUT THE WRITTEN PERMISSION OF SONOMA CAST STONE CORP. IS PROHIBITED.



312 GALLONS
 2860 LB. TANK
 3660LB. w/ CONC. TOP

570 GALLONS
 4930 LB. TANK
 5730 LB. W/ CONC. TOP

578 GALLONS
 4979 LB. TANK

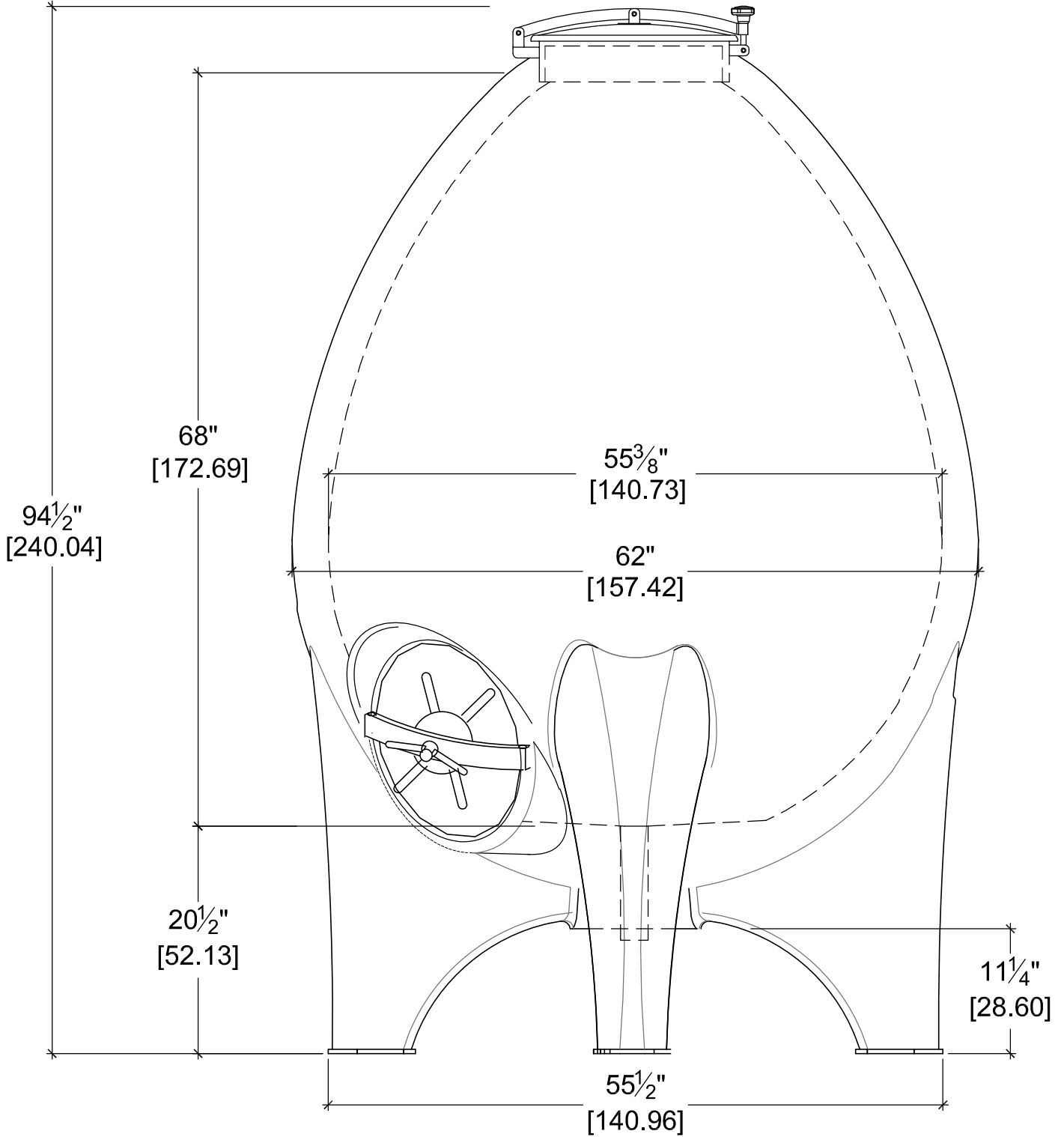
845 GALLONS
 7160 LB. TANK

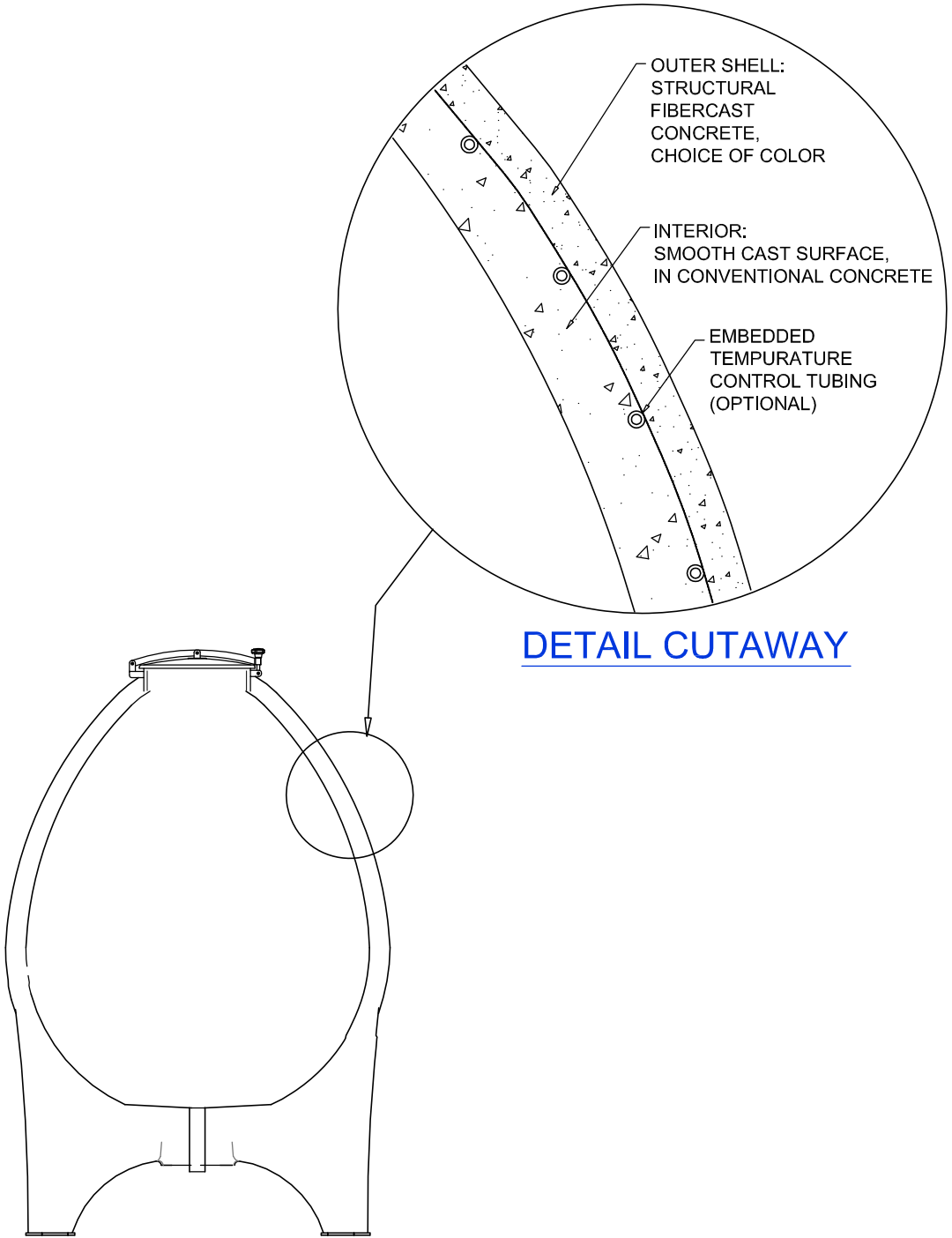
1140 GALLONS
 8720 LB. TANK

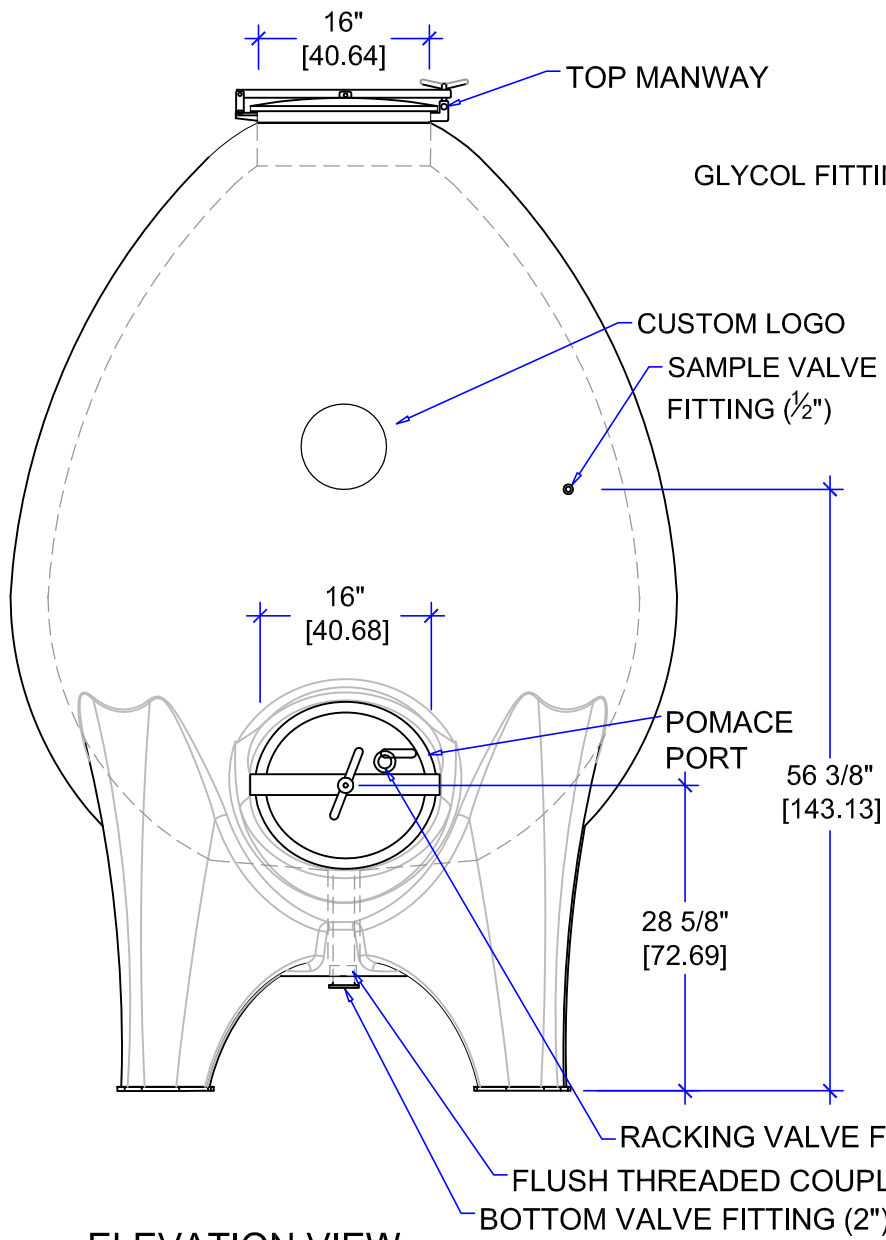
MODULAR TANK PRICES AND WEIGHTS					
GALLONS	312	570	578	845	1140
LITERS	1181	2157	2188	3198	4315
TANK WEIGHT, LBS.	2860	5730	4980	7158	8720
STAND WEIGHT	480	480	480	480	480
CONCRETE TANK PRICE	\$2,200	\$5,000	\$5,600	\$8,400	\$10,600
OPTIONS					
STEEL STAND	\$2,000	\$2,000	\$2,000	\$2,000	\$2,000
ADJUSTABLE BASE	\$500	\$500	\$500	\$500	\$500
POMACE PORT	\$1,000	\$1,000	\$1,000	\$1,000	\$1,000
TOP MANWAY	\$1,400	\$1,400	\$1,400	\$1,400	\$1,400
FLAT TOP/MANWAY	\$900	\$900	NA	NA	NA
TEMP COILS/ SECTION	\$1,700	\$1,700	\$1,700	\$1,700	\$1,700
DOMESTIC CRATING	\$400	\$600	\$600	\$600	\$600
DELIVERY NAPA/SONOMA	\$600	\$600	\$600	\$600	\$600
LOGO - COLOR CHOICE	0	0	0	0	0



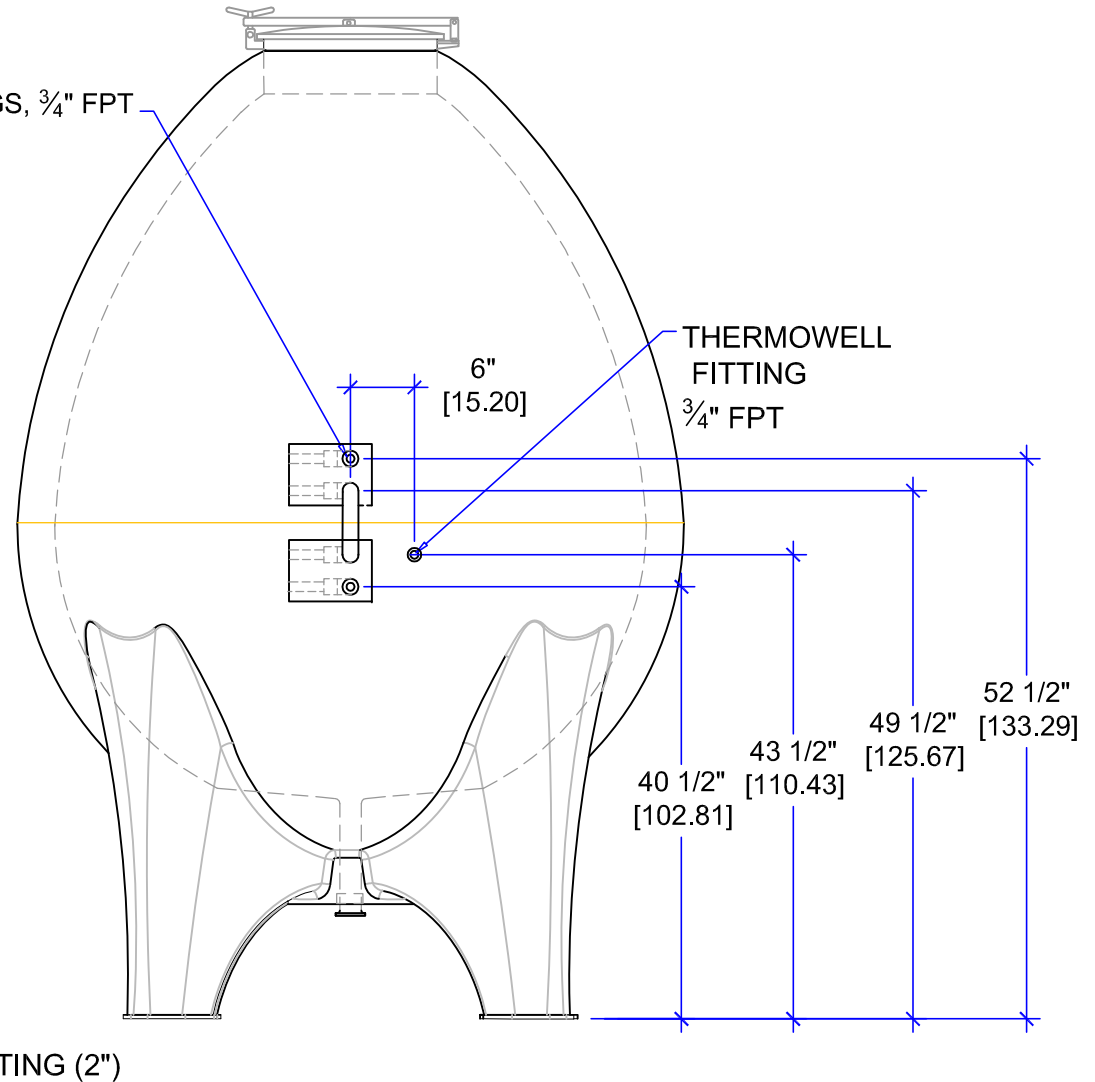
PRICE AS SHOWN \$12,800



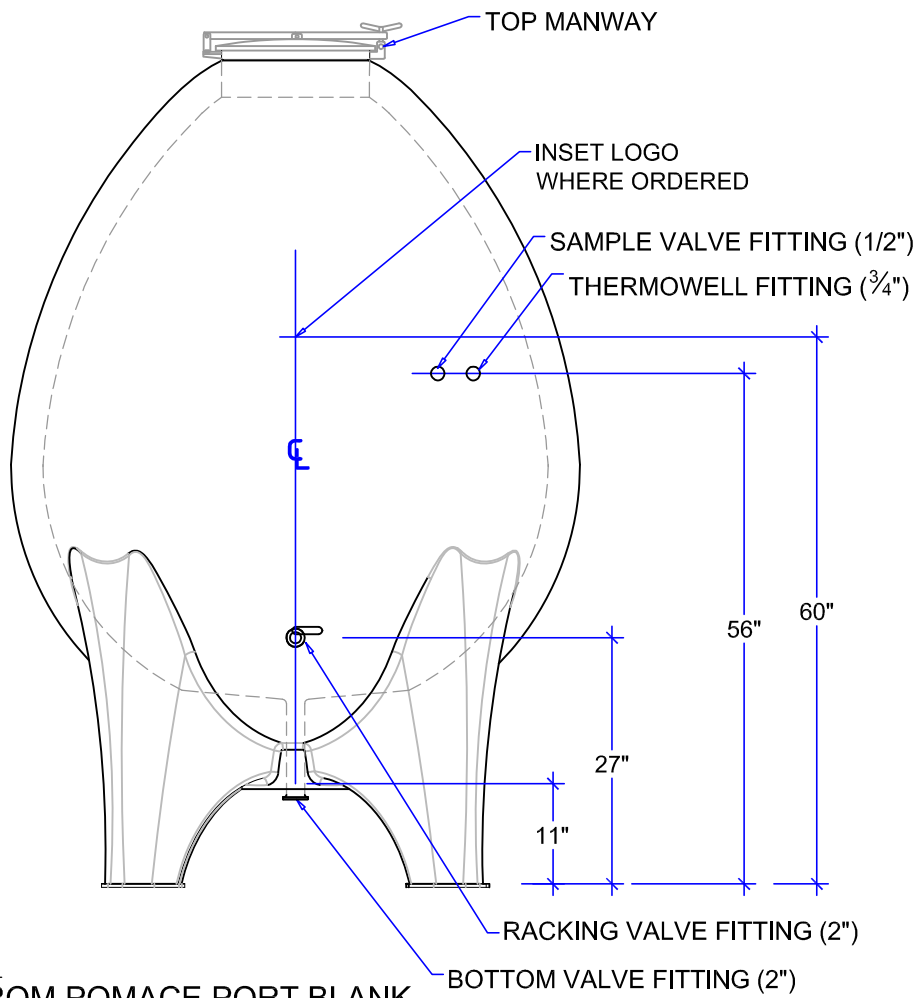
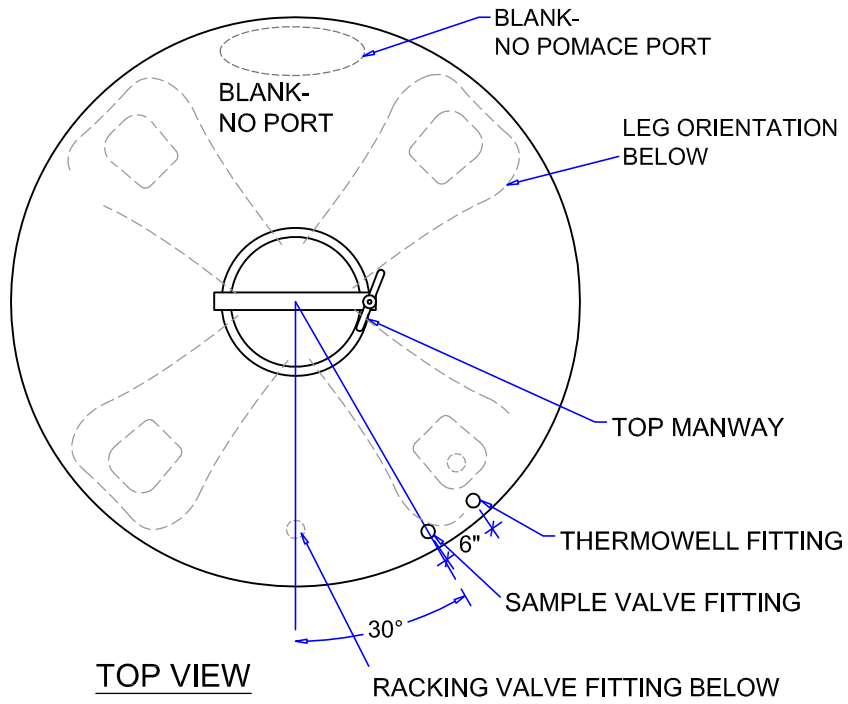




ELEVATION VIEW
VIEWED @ POMACE PORT



ELEVATION VIEW
VIEWED @ 180° FROM POMACE PORT



WHITE WINE TANK
VIEWED @ 180° FROM POMACE PORT BLANK



SONOMA CAST STONE
 CORPORATION
 133 COPELAND STREET PETALUMA, CA 94952
 707-283-1888
 FAX 707-283-1899

FITTINGS SPECIFICATIONS

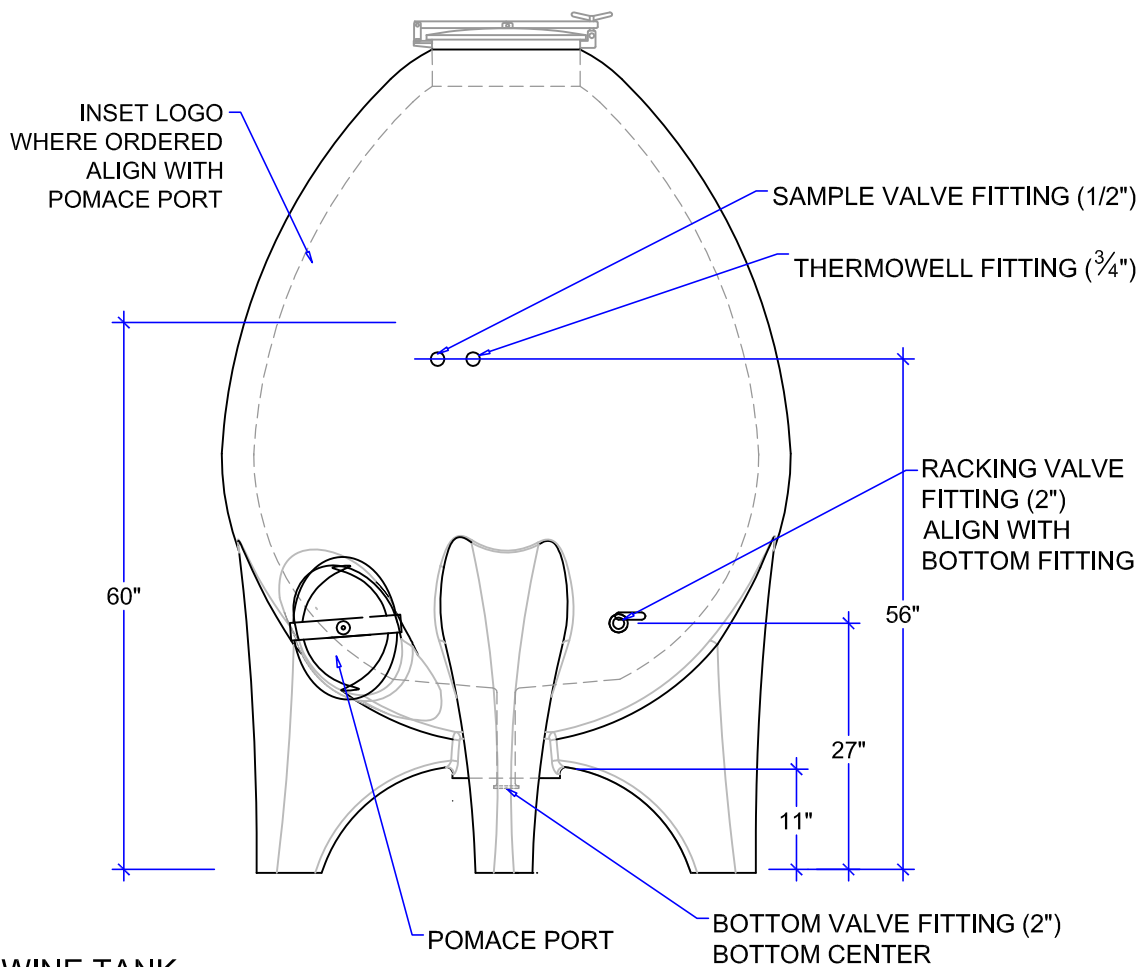
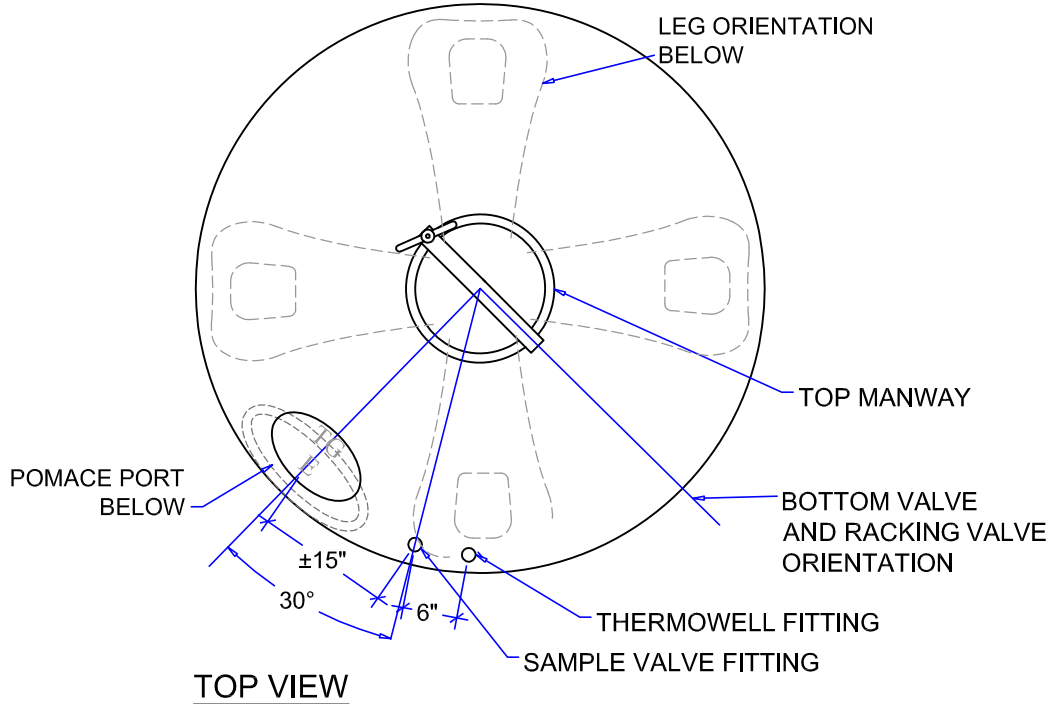
SCALE: 1"=1'

DATE : 7/8/2010

DRAWN BY: CF

DWG REVISION #

SHEET #



RED WINE TANK
VIEWED @ 45° FROM POMACE PORT



SONOMA CAST STONE
 CORPORATION
 133 COPELAND STREET PETALUMA, CA 94952
 707-283-1888
 FAX 707-283-1899

FITTINGS SPECIFICATIONS

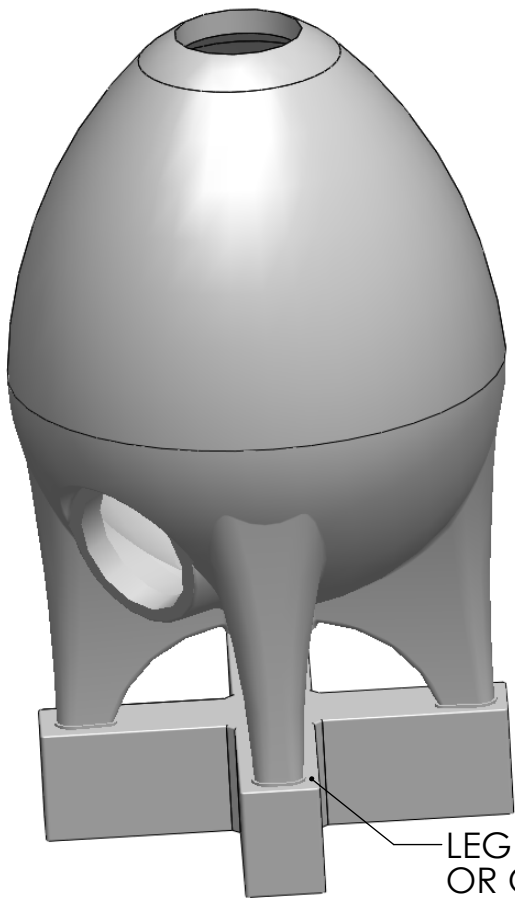
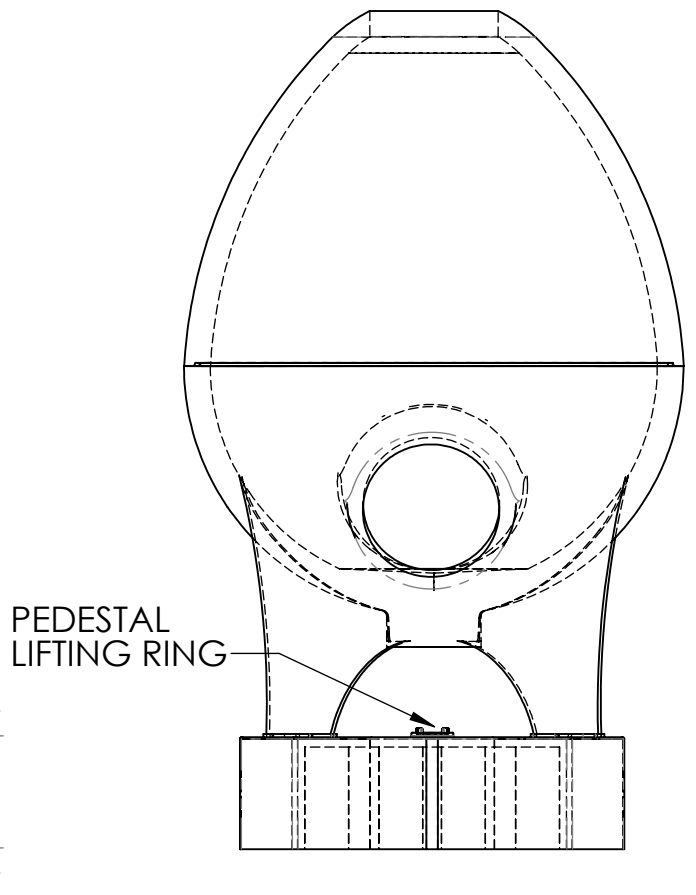
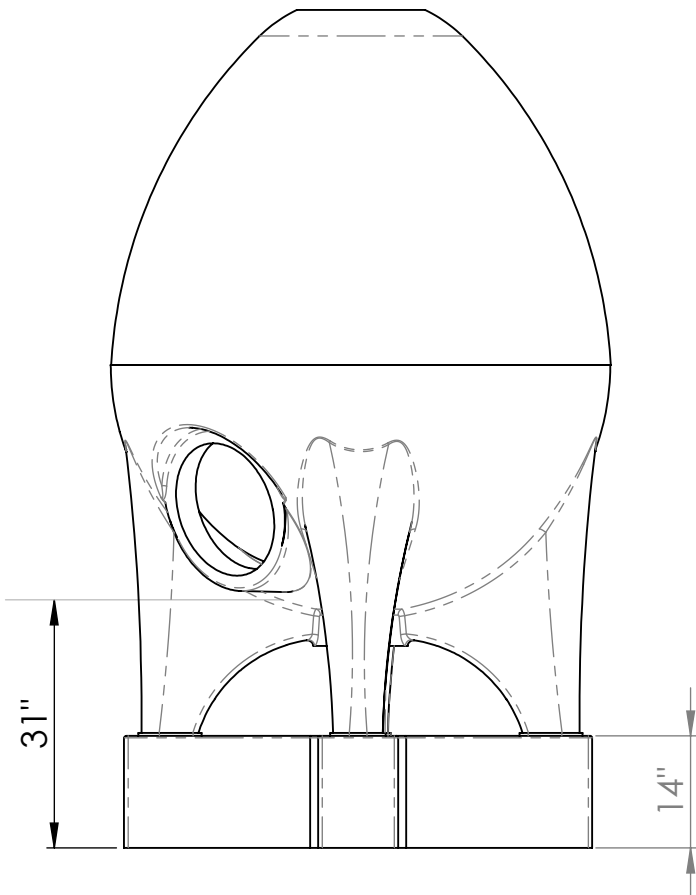
SCALE: 1"=1'

DATE : 7/8/2010

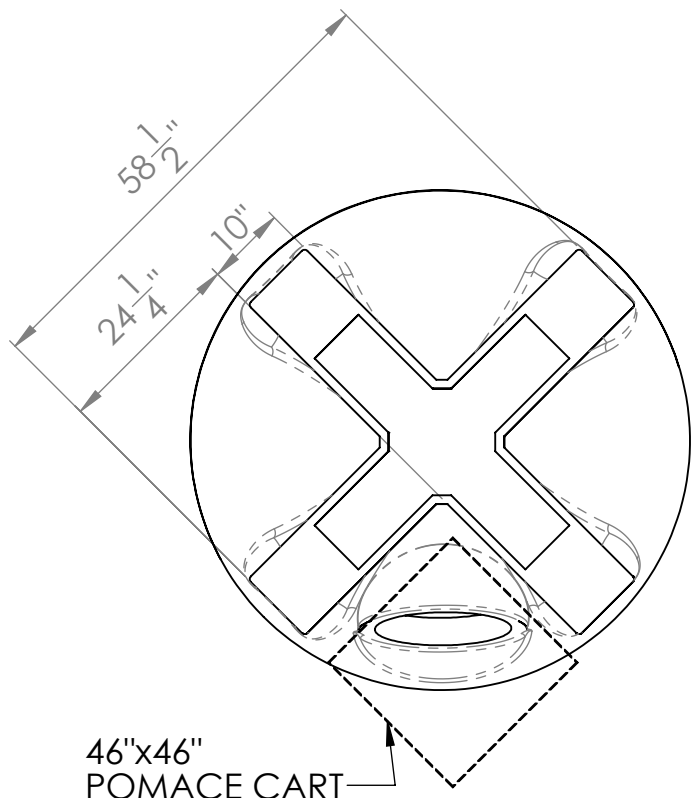
DRAWN BY: CF

DWG REVISION #

SHEET #



LEG BASE RECESS
OR OPTIONAL
BOLT-DOWN PLATE



BOTTOM VIEW

MATERIAL:

DWG NO.

Egg Pedestal3

A4

WEIGHT:

SCALE: 1:50

SHEET 1 OF 1

CONCRETE FERMENTATION TANKS

SONOMA CAST STONE

SONOMASTONE.COM



CARE & MAINTENANCE

Sonoma Cast Stone concrete tanks are designed and intended for wine fermentation and wine storage.

BEFORE USAGE

Before usage, inside tank walls should be thoroughly washed with a 10% solution of Tartaric Acid and non-chlorinated water, repeat process until no further reaction between the acid and the calcium in the concrete. Follow with a water rinse.

NOTE

To protect the outside of the tank from acid etching and staining, cover outside of tank by wrapping with a clear plastic. (as shown at left) Seal the plastic to the stainless steel rim at the top of the tank with duct tape, seal thoroughly so drips or spills of acid will not pass through and run down the side of the tank. Have someone stand ready with a water hose to keep the outside of tank wet throughout the process.

Be careful not to spill Tartaric Acid on the outside of the tank while lowering spray device or applicator into the tank and if acid is spilled on the tank you should dilute immediately with water.

TO PROTECT THE OUTSIDE OF THE TANK FROM ACID ETCHING AND STAINING, COVER OUTSIDE OF TANK BY WRAPPING WITH A CLEAR PLASTIC.

- We recommend the temperature of the concrete tank to not exceed 104 degrees.
- Do not use a pressure washer.
- Do not use aggressive cleaning products.
- We recommend inspection of all seals every year and replace if necessary.
- Do not over tighten threaded fittings.
- To ensure a tight seal, always make sure to position covers on the centerline of the seal area. Tighten the handles (or wheel) crosswise to ensure a fully tight seal, but with no visible deformation of the cover.
- When tank is empty, it is important to allow the inside to dry thoroughly, giving plenty of ventilation.

The outside of the tank is coated with a stain resistant sealer to maintain the original look and finish. Although stain resistant, spilled wine could result in staining on the tank unless promptly cleaned.

Special care should be taken when moving or transporting the Egg fermentation tank. The tank must be empty as the liquid movement within the tank may cause unwanted tank movement. This warranty does not include any damage that might occur as a result of moving the tank. Special lifting and moving pallets are available from our company. These must be used by qualified personnel in the manner prescribed by the company.

If your tank has the optional temperature control tubing embedded within the cavity of the concrete shell, liquid pressure exceeding 100 psi or temperatures exceeding 175° are not included within this warranty.

Stainless steel valves, hatches and accessories purchased from third parties carry the warranties provided by these vendors.